

1 Megabit (128K x 8) UV EPROM and OTP EPROM

DATA BRIEFING

- FAST ACCESS TIME: 45ns
- LOW POWER "CMOS" CONSUMPTION:
 - Active Current 30mA
 - Standby Current 100µA
- PROGRAMMING VOLTAGE: 12.75V
- ELECTRONIC SIGNATURE for AUTOMATED PROGRAMMING
- PROGRAMMING TIMES of AROUND 12sec. (PRESTO II ALGORITHM)

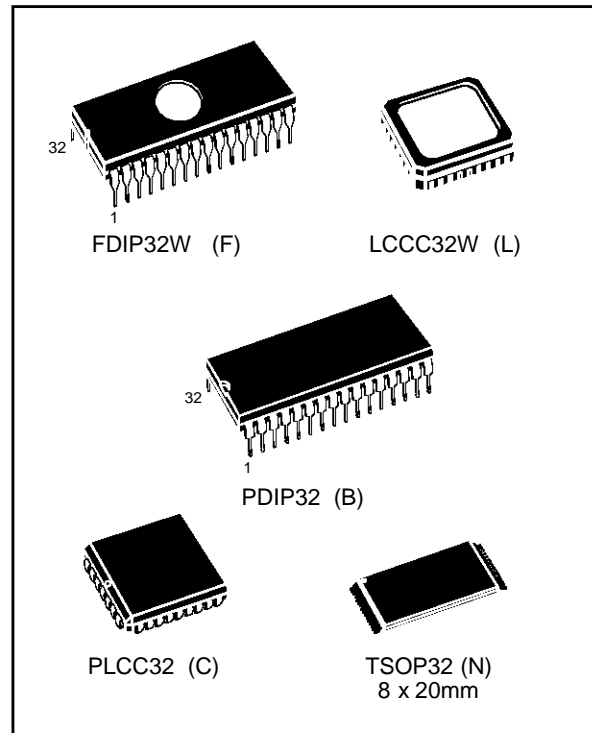
DESCRIPTION

The M27C1001 is a high speed 1 Megabit UV erasable and electrically programmable EPROM ideally suited for microprocessor systems requiring large programs. It is organized as 131,072 by 8 bits.

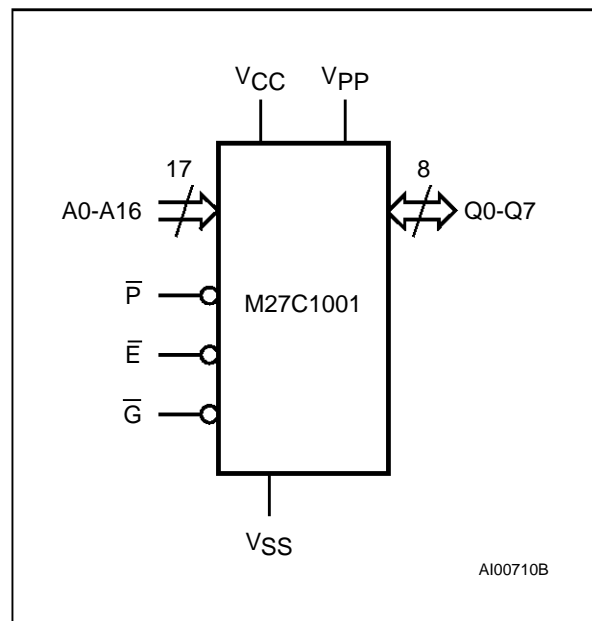
The Window Ceramic Frit-Seal Dual-in-Line and Leadless Chip Carrier packages have transparent lids which allow the user to expose the chip to ultraviolet light to erase the bit pattern. A new pattern can then be written to the device by following the programming procedure. For applications where the content is programmed only one time and erasure is not required, the M27C1001 is offered in both Plastic Dual-in-Line, Plastic Leaded Chip Carrier and Plastic Thin Small Outline packages.

Signal Names

A0 - A16	Address Inputs
Q0 - Q7	Data Outputs
\bar{E}	Chip Enable
\bar{G}	Output Enable
\bar{P}	Program
V _{PP}	Program Supply
V _{CC}	Supply Voltage
V _{SS}	Ground

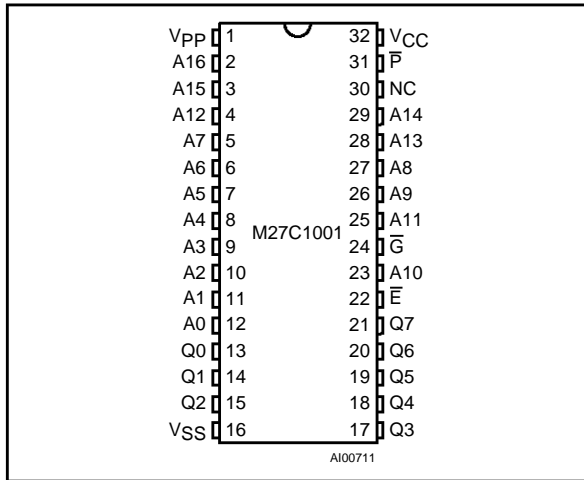


Logic Diagram



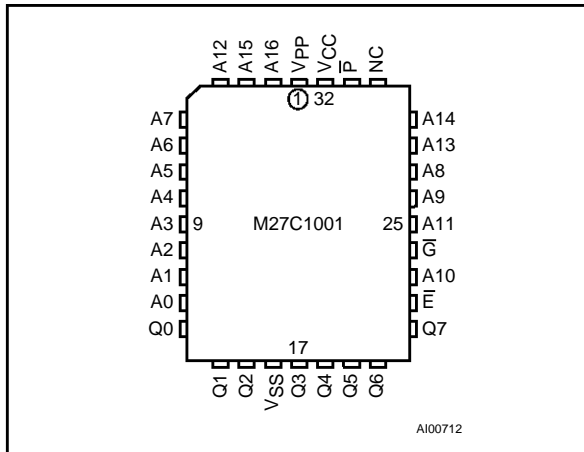
M27C1001

DIP Pin Connections



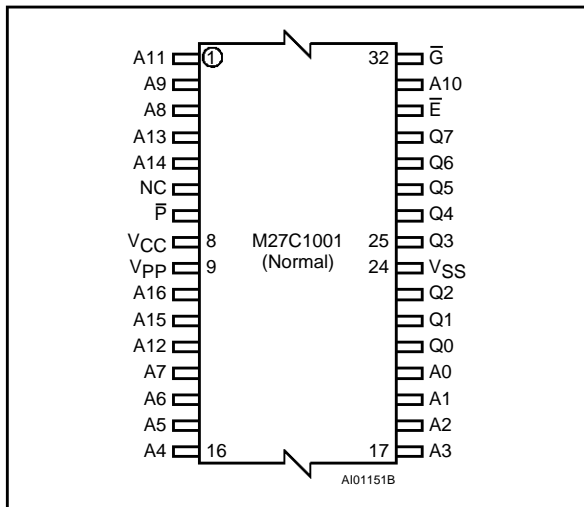
Warning: NC = Not Connected.

LCC Pin Connections



Warning: NC = Not Connected.

TSOP Pin Connections



Warning: NC = Not Connected.

Ordering Information Scheme

For a list of available options refer to the current Memory Shortform catalogue. For further information on any aspect of this device, please contact the SGS-THOMSON Sales Office nearest to you.

Example: M27C1001 -70 X C 1 TR

Speed	-70
-45	45ns
-60	60ns
-70	70ns
-80	80ns
-90	90ns
-10	100ns
-12	120ns
-15	150ns
-20	200ns
-25	250ns
V_{CC} Tolerance	X
X	± 5V
blank	± 10V
Package	C
F	FDIP32W
L	LCCC32W
B	PDIP32
C	PLCC32
N	TSOP32 8 x 20mm
Temp. Range	1
1	0 to 70 °C
3	-40 to 125 °C
6	-40 to 85 °C
Option	1
X	Additional Burn-in
TR	Tape & Reel Packing